

WESLEYAN

U N I V E R S I T Y

Facilities
170 Long Lane
Middletown, Connecticut 06457
(860) 685-3476 FAX (860) 685-3101



ADDENDUM #1

Date: February 20, 2013
Project: CFA A Rehearsal Hall AHU Replacement
Annual Major Maintenance FY 13
To: Bidders of Record

SPECIAL NOTE: Addendum #1 information shall supersede the information contained in the Contract Documents

This Addendum forms a part of the Contract Documents and modifies the original Bidding Documents dated January 4, 2013 and February 20, 2013 . Acknowledge receipt of this Addendum in the space provided on the Bid Form. Failure to do so may subject the Bidder to disqualification.

The bid date has been extended to March 7, 2013 at 4:00 pm. Revised schedule as follows:

Bid / Construction Schedule

Bids due: **March 7, 2013 @ 4:00PM**
Post bid interview/bid review: **March 11 & 12, 2013**
Selection of successful bidders: **March 13, 2013**
Construction Start Date: **May 28, 2013**
Substantial Completion Date: **August 1, 2013**
Project Completion Date: **August 16, 2013**
Housing Opens/Students Arrive on campus: **August 20, 2013**

The following items were distributed at the pre-bid meeting:

Project floor plans; Alterations to CFA Rehearsal Studio dated 2/20/013
Project drawing list dated 2/20/13
CFA Building A Recording Studio AHU Replacement Technical Specifications; no date
Section 00300 Proposal Form dated 1/04/13
Location Plan

The prebid meeting addressed the following items:

1. Schedule: Completion dates shall be strictly adhered to.
 1. Coordination of the work is critical.
2. Safety: Zero accidents. All contractors shall practice safe workmanship practices
3. The offices on the first floor of CFA A will be occupied sporadically throughout the project. Surrounding areas/buildings will be occupied throughout the project schedule.
4. OSHA Training: Contractor shall provide minimum 10 hour OSHA Training Certification for workman and minimum 30 hour OSHA Training Certification for

- Working Foreperson or Supervisor to Owner prior to start of work. Reference 01015 General Requirements.
5. Hazardous Materials: Contractor shall coordinate all required ACM removal with Owner. Inspection reports are available in the Owner's office and will be posted to the MM FY13 website.
 6. Lead Materials: All painted surfaces are to be treated as positive for lead containing paint due to the construction of the building prior to 1978. All contractor personnel working on the project shall be certified by the U.S. Environmental Protection Agency (EPA) for lead based paint activities
 7. Parking: Parking on grass surfaces is strictly prohibited. No Parking on Mt. Vernon Street or University parking lots. A space for a dumpster during demolition will be allocated in the Admissions parking lot. Off street parking is available. Additional parking is available at the Vine Street parking lot and its use is strongly suggested.
 8. It is the contractors' option to a flash drive or CD to obtain available AutoCAD drawings.
 9. Contractors are encouraged to check the major maintenance website frequently for new and updated information. Addenda, specifications and additional project work will be posted to the website as it becomes available.
 10. If out of office message is received when contacting R. Sillasen by phone or email, contractor is directed to call Steve Formica at 860-865-3778 or sformica@wesleyan.edu.
 11. Automated Logic will perform wiring with its own electrician. Contractor responsible to open ceilings for access, install wells and valves, ceiling/wall repairs, patch and paint and coordination of the work.
 1. Valve configuration drawing attached from Automated Logic for the first floor fan coil units. Belimo 3-way valves to be installed. Reference attached drawing CFA-A-AutomatedLogic.
 2. Contractor shall take caution with the removal of existing pneumatic lines.
 3. An add/alternate will be identified on the Proposal Form for the replacement of existing GWB ceilings in rooms RH106 & RH108 with acoustic ceiling.
 12. Lighting plan for control room RH013 is in progress and will be submitted under separate cover.
 13. Rob Jorgensen of Saren Engineering reviewed the technical aspects AHU replacement.
 1. Spaces constraints exist. The design is based on Mainstream. Temptrrol also has a unit that will work in the space.
 2. Steel press pipe use is not allowed.
 3. In control room RH013, supply and return diffusers to be located on the bottom of the ductwork to decrease sound.
 4. Contractor is responsible to hire a balancing company for air and water balancing. Wings Testing and Balancing is the preferred vendor.
 5. All fire alarm devices are to be salvaged, reused and with the remaining devices returned to Owner.
 14. Line item will be added to the Proposal Form to identify quick ship delivery date and cost for equipment.
 15. A bond is not required.
 16. Attached is a site plan identifying the work zone of a concurrent project being performed by others in close proximity to the CFA A Rehearsal Hall AHU Replacement Project. (CFA Excavation-Work Zone)

Items Arising from the Pre-Bid Walkthroughs:

1. Contractor to provide line item on the Proposal Form for cost of the building permit. Outcome of Owner meeting with city of Middletown Building Inspector will determine which entity will obtain building permit.
2. Tax exempt certificate will be submitted to awarded contractor.
3. Revised Sheet A-2, dated 2/26/13 attached: The ceiling height in the on the intermediate floor which houses the control room RH013 and new mechanical space RH015 is 7'-1" **not** 7'-11".

4. Revised Sheet A-1, note 6:
 - a. Install new **3"** thick acoustical ceiling panels. Acoustical panels shall be Conwed Response type: "Soft Texture" as manufactured by Conwed Designscape, 800 Gustafson Road, Ladysmith, WI 54848 (www.conweddesignscape.com)
5. Table of Contents, Division 0, Division 1, Exhibits and Attachments posted to website 2/25/13 (http://www.wesleyan.edu/construction/majormaint/FY_14_Data/TOC_DivO_Div1_Exh_Att022513.pdf)
6. Division 2 – 16 posted to website 2/25/13 (http://www.wesleyan.edu/construction/majormaint/FY_14_Data/Div2_16withRevTOC.pdf)
7. List of Alternates for this project:

Alternate No. 1:

Add for HVAC equipment quick ship. (Total) \$ _____

HVAC Equipment Manufacturer: _____.

Equipment delivery date: _____.

Alternate No. 2:

Add for Contractor obtained Building Permit Fee (Total) \$ _____

Alternate No. 3:

Offices RH106 and RH108; install new acoustic drop ceiling with new lay-in supply and return diffusers and related flex duct to FCU. Reuse existing light fixtures.

(Material) \$ _____ (Labor) \$ _____ (Total) \$ _____

Credit to base bid for ceiling repair in offices RH106 and RH108.

(Material) \$ _____ (Labor) \$ _____ (Total) \$ _____

General Questions and Responses:

1. "During the prebid meeting, mention was made about an existing door opening. I have a note indicating "34" MAX".
 - a. The clear width door opening to the intermediate level is 38-1/2" from face of jamb stop to face of jamb stop. Contractor to verify in the field.

Please contact this office with any conflicts noted within this addendum.

Attachments:

Table of Contents revised 2/26/13

Proposed Floor Plan, Sheet A-1, dated 2/26/13

Plan & Section & Int. Elevs & Typ. Details, Sheet A-2, dated 2/26/13

CFA Excavation-Work Zone

CFA-A-AutomatedLogic022613

Revised Proposal Form dated 2/26/13

Documents under separate cover:

Table of Contents, Division 0, Division 1, Exhibits and Attachments posted to website 2/25/13

(http://www.wesleyan.edu/construction/majormaint/FY_14_Data/TOC_DivO_Div1_Exh_Att022513.pdf)

Division 2 – 16 posted to website 2/25/13

(http://www.wesleyan.edu/construction/majormaint/FY_14_Data/Div2_16withRevTOC.pdf)

DIVISION 0 – BIDDING AND CONTRACT REQUIREMENTS

Section 00010	Table of Contents.....	3
Section 00020	Bid Package Documents / Drawing List.....	1
Section 00030	Project Directory.....	1
Section 00100	Invitation to Bid.....	3
Section 00200	Scope of Work.....	Under Separate Cover by Bid Package
Section 00300	Proposal Form.....	SPECIFIC TO EACH BID PACKAGE
Section 00400	Wesleyan University Master Purchase Agreement Products/Services	7
Section 00500	AIA Document A101 – 1997 – Standard Form of Agreement between Owner and Contractor	6
Section 00700	AIA Document A201 – 1997 – General Conditions of the Contract for Construction	40
Section 00800	Supplementary Conditions	60

DIVISION 1 – GENERAL REQUIREMENTS

Section 01015	General Project Requirements	17
Section 01030	Alternates.....	2
Section 01040	Coordination	7
Section 01045	Cutting and Patching.....	4
Section 01100	Summary – CFA A Rehearsal Hall AHU Replacement	7
Section 01200	Project Meetings	3
Section 01301	Submittals	12
Section 01380	Construction Photographs.....	2
Section 01400	Quality Control	3
Section 01421	Reference Standards	4
Section 01500	Construction Facilities	7
Section 01505	Construction Waste Management.....	10
Section 01600	Materials and Equipment	3
Section 01631	Product Substitutions	4
Section 01700	Project Closeout.....	4
Section 01732	Selective Demolition.....	2
Section 01740	Warranty	3

SAREN ENGINEERING, INC.

Technical Specifications	Pages1 thru 38
--------------------------------	----------------

DIVISION 2 – SITE WORK

Section 02230	Site Clearing	4
Section 02300	Earthwork	3
Section 02333	Trenching and Backfilling	7
Section 02510	Water Distribution	3
Section 02621	PVC Pipe	3
Section 02740	Pavement Subbase	4
Section 02741	Asphalt Paving.....	4
Section 02815	Precast Channel Drainage System	2
Section 02920	Lawn and Grasses	2

DIVISION 3 – CONCRETE

Section 03300	Cast In Place Concrete	13
---------------	------------------------------	----

DIVISION 5 – METALS

Section 05500	Metal Fabrication	3
---------------	-------------------------	---

DIVISION 6 – WOOD AND PLASTICS

Section 06100	Rough Carpentry	4
Section 06200	Finish Carpentry	3
Section 06402	Interior Architectural Wood work	3
Section 06900	Wood Restoration	5

DIVISION 7 – THERMAL AND MOISTURE PROTECTION

Section 07210	Building insulation.....	2
Section 07311	Asphalt Shingles	3
Section 07460	Siding	5
Section 07531	EPDM Membrane Roofing.....	6
Section 07710	Manufactured Roof Specialties.....	3
Section 07841	Through- Penetration Fire Stop Systems	3
Section 07920	Joint Sealants	3

DIVISION 8 DOORS AND WINDOWS

Section 08110	Steel Doors and Frames	3
Section 08212	Stile and Rail Wood Doors	2
Section 08311	Access Doors and Frames	1
Section 08541	Fiberglass Windows.....	6
Section 08550	Wood Windows	3
Section 08561	Vinyl Windows	3
Section 08585	Slimline Security Screens	2
Section 08710	Door Hardware	5
Section 08720	Weatherstripping and Seals	2
Section 08800	Glazing.....	3

DIVISION 9 – FINISHES

Section 09260	Gypsum Board Assemblies.....	3
Section 09290	Fiberglass Columns.....	3
Section 09641	Laminate Flooring.....	2
Section 09642	Wood Floor Refinishing	3
Section 09651	Resilient Floor Tile	3
Section 09652	Sheet Vinyl Floor Coverings	3
Section 09653	Resilient Wall Base and Accessories	3
Section 09680	Carpet.....	3
Section 09681	Carpet Cleaning	1
Section 09770	Special Wall Surfaces	2
Section 09910	Painting	6

DIVISION 10 – SPECIALTIES

Section 10162 Toilet Partitions – IN PROGRESS 4
 Section 10801 Toilet Accessories..... 3

DIVISION 11 – EQUIPMENT

Section 11451 Residential Appliances.....3

DIVISION 12 – FURNISHINGS

Section 12356 Residential Casework.....2
 Section 12500 Window Treatment2

DIVISION 13 – SPECIAL CONSTRUCTION

Section 13080 Sound Control Access Systems Noise-Lock Doors5

DIVISION 15 – MECHANICAL

Section 15050 Basic Mechanical Materials and Methods 5
 Section 15325 Fire Sprinkler Systems..... 11
 Section 15410 Plumbing Fixtures 5
 Section 15830 Fans 2
 Section 15900 Instrumentation and Controls..... 1

DIVISION 16 - ELECTRICAL

Section 16050 Basic Electrical Materials and Methods 6
 Section 16140 Wiring Devices 2
 Section 16500 Lighting..... 3
 Section 16722 Woodframes - Intelligent Reporting Fire Detection System 16

EXHIBITS

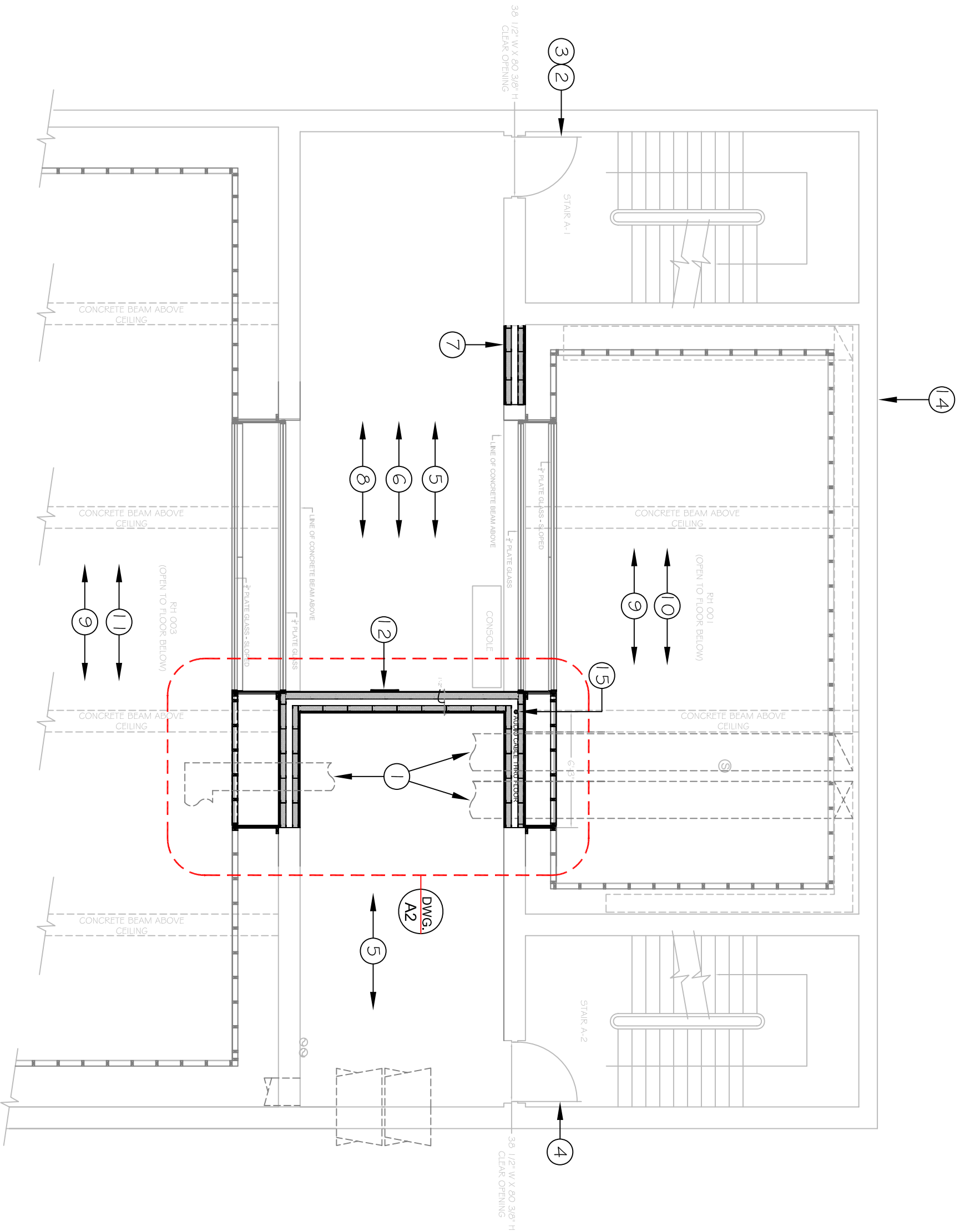
Exhibit ‘A’ Wesleyan University - Product & Service Procurement Master Terms & Conditions / Vendor & Contractor Insurance Requirements 7
 Exhibit ‘B’ Wesleyan University Community Participation Program..... 2
 Exhibit ‘C’ Contractor’s Consent and Agreement..... 5
 Exhibit ‘D’ Equal Employment Opportunity Certification..... 6
 Exhibit ‘E’ Smoking Policy..... 1
 Exhibit ‘F’ Green Policy 4
 Exhibit ‘G’ Sidewalk Vehicle Access Pass..... 1

ATTACHMENTS

Attachment ‘1’ (Sub)Contractor Information Sheet..... 1
 Attachment ‘2’ Hot Work Permit..... 1
 Attachment ‘3’ Confined Space 2
 A-1 Typical Landing, Stair & Porch Replacement Details..... 1

NOTES

1. REFERENCE MECHANICAL AND ELECTRICAL DRAWINGS FOR INSTALLATION REQUIREMENTS. MECHANICAL AND ELECTRICAL DUCTWORK AND DEVICES SHOWN ON THIS PLAN ARE FOR REFERENCE ONLY.
2. NEW ACOUSTIC DOOR AND HARDWARE SHALL BE INSTALLED BY OTHERS.
3. PROVIDE BLOCKING FOR NEW ACOUSTIC DOOR. COORDINATE BLOCKING REQUIREMENTS WITH OWNER AND ACOUSTIC DOOR INSTALLER.
4. MAINTAIN EXISTING DOOR. REMOVE EXISTING CARD ACCESS DEVICE AND LOCKSET - RETURN TO OWNER.
5. PREP EXISTING CONCRETE FLOOR. APPLY NEW WATERBASED MEDIUM GLOSS FLOOR FINISH.
6. INSTALL NEW 3" THICK ACOUSTICAL CEILING PANELS. ACOUSTICAL PANELS SHALL BE CONWED RESPOND TYPE, "SOFT" TEXTURE AS MANUFACTURED BY CONWED DESIGNSCAPE, 800 GUSTAFSON ROAD, LADYSMITH, WI 54848 (WWW.CONWEDDESIGNSCAPE.COM).
7. ~~REMOVE EXISTING WALL OPENINGS. USE SAME SOUND WALL PARTITION DETAIL AS MECHANICAL ROOM PARTITION SOUND WALL.~~
8. APPLY A PLASTER SKIM COAT ON ALL CONCRETE WALLS AND BEAMS NOT PREVIOUSLY SKIM COATED. PREP AND PATCH EXISTING SKIM COATED WALLS AND BLEND ALL SURFACES WITHIN THE NEW CONTROL ROOM. PAINT ALL WALLS AND BEAMS.
9. INSTALL NEW WALL PANELS, WOOD FRAMING AND INSULATION AS SHOWN ON SHEET A2 TO REPLACE PANEL SYSTEM REMOVED.
10. ROOM RH001: PAINT ENTIRE CEILING.
11. ROOM RH003: PAINT ALL CEILING PANELS REMOVED. PRIME AND PAINT ALL NEW PANELS INSTALLED.
12. RE-INSTALL CABLE RACK - PROVIDE WOOD BLOCKING AS REQUIRED. IDENTIFY FINAL LOCATION IN FIELD WITH OWNER.
13. PROVIDE BLOCKING FOR NEW ACOUSTIC DOUBLE DOOR TO BE INSTALLED AT CFA CROWMELL CONCERT HALL.
14. CAP EXISTING OUTDOOR AIR AIR INTAKE WITH A 1" THICK ALUMINUM INSULATING PANEL.
15. PATCH CONCRETE FLOOR PENETRATION AFTER AUDIO CABLE IS REMOVED.



CFA 'A' CONTROL ROOM - INTERMEDIATE LEVEL



WESLEYAN UNIVERSITY
 Construction Services
 170 Long Lane
 Middletown, CT 06459
 Ph. (860) 685-3748 Fax (860) 685-3754

PROJECT:
**CFA BUILDING "A" RECORDING STUDIO
 PROPOSED FLOOR PLAN**



Scale: AS NOTED

Date: 02 / 20 / 2013

Revisions:

Δ	02 / 26 / 2013

SKETCH NO.
A-1

ATHLETIC FIELD

MECHANICAL ROOM
750 KVA-3Ø



CHWS&R
ART STUDIO
NORTH

CHWS&R
ART STUDIO
SOUTH

MUSIC STUDIOS
AND MUSIC

UTILITY VAULT
750 KVA-3Ø

WORK STORAGE

WORK ACCESS

SA - 4" VCT

CROWELL

MH-16

WORLD MUSIC

MYSTICAL SEVEN

SA - 4" VCT

REHEARSAL HALL

WORK STORAGE

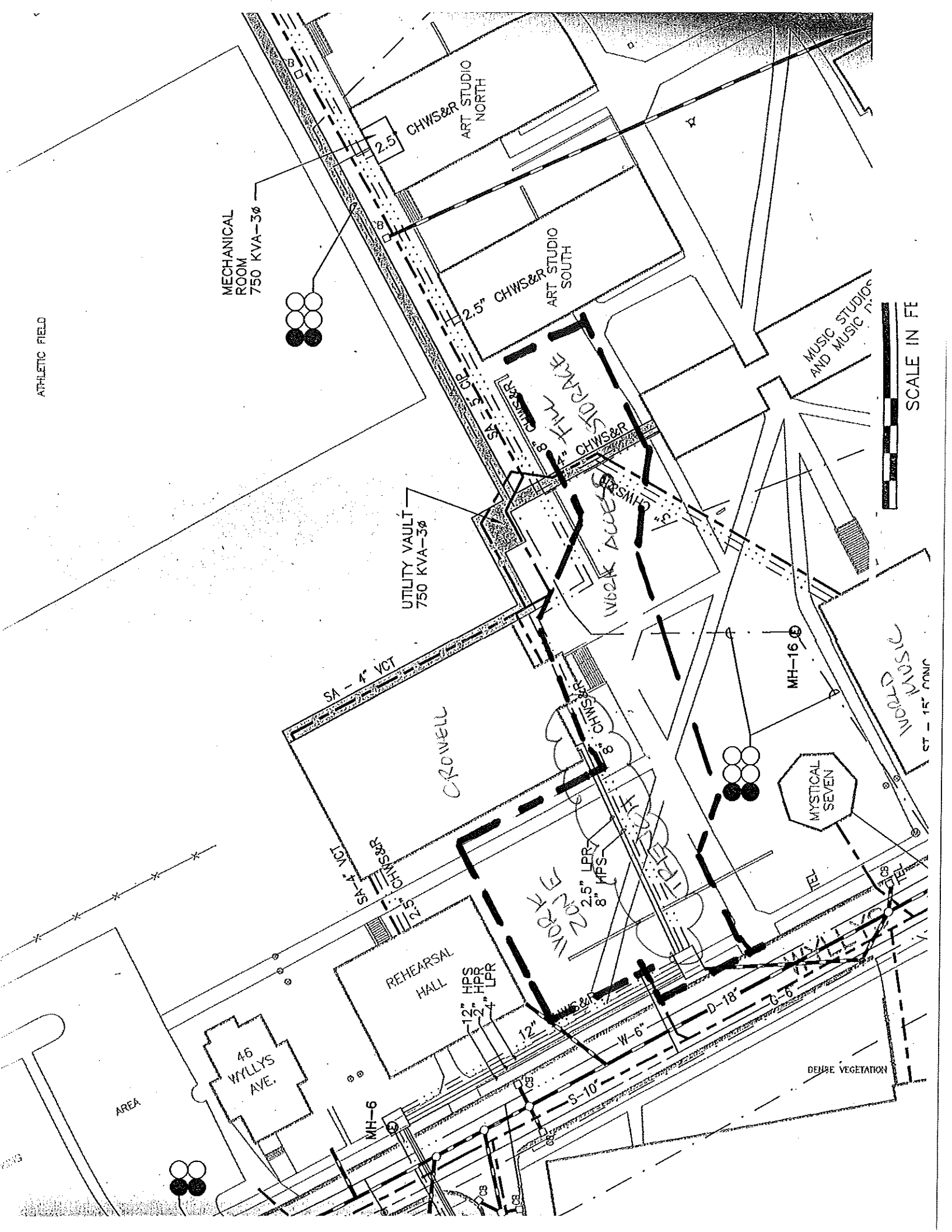
46 WYLLYS AVE.

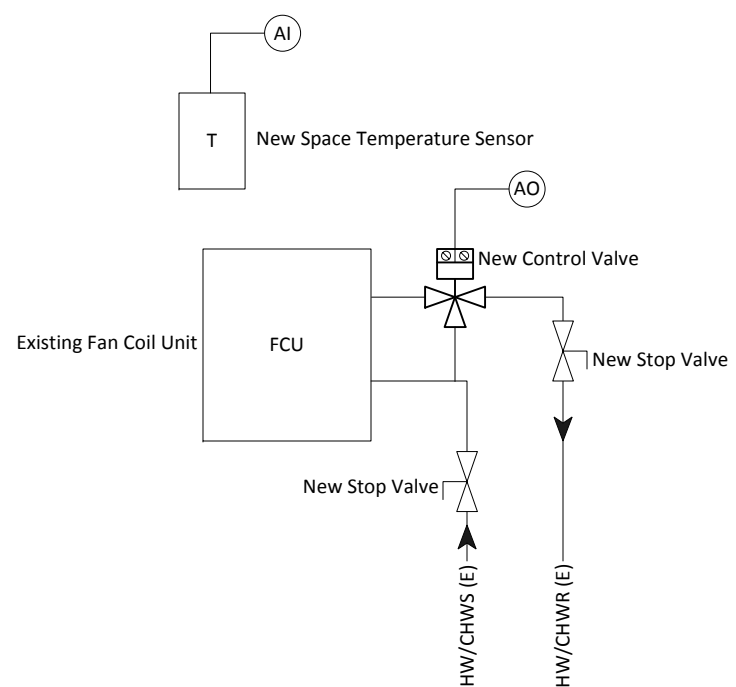
AREA

MH-6

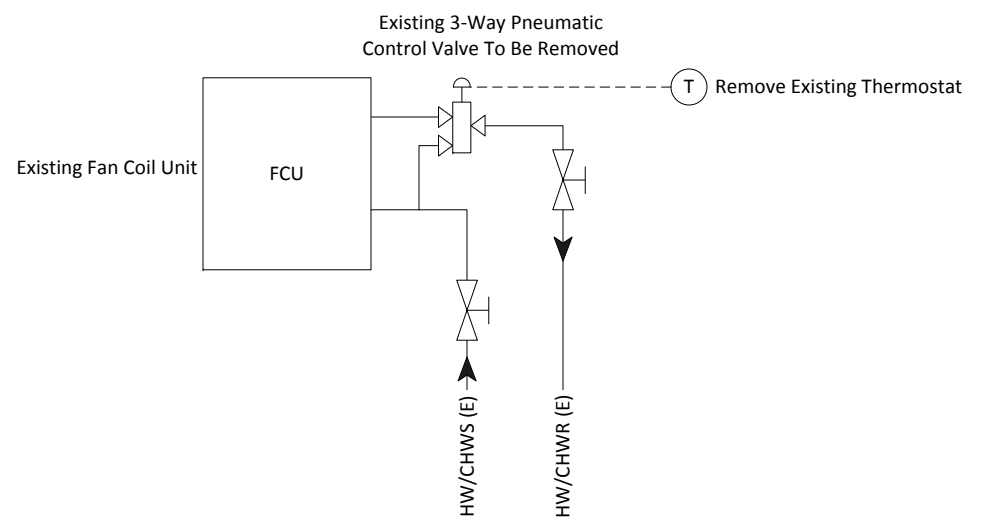
REMOVE VEGETATION

SCALE IN FE





Fan Coil Piping Schematic
Not To Scale



Existing Fan Coil Piping Schematic
Not To Scale